

15", 17", 19" Front IP66 Silver Aluminum Touch Monitor



Features

- Fanless and rugged design
- True Flat PCT / 5 Wires Resistive touch solution
- Resolution 1024 x 768 / 1280 x 1024
- IP66 Silver aluminum front bezel
- VESA mount & Panel mount & Clip mount

Specifications

Model No.	TM150PS03	TM150RS03	TM150PS04	TM150RS04	TM170PS03	TM170RS03	TM170PS04	TM170RS04	TM190PS03	TM190RS03	TM190PS04	TM190RS04
DISPLAY												
Size	15" TFT (4:3)				17" TFT (4:3)				19" TFT (4:3)			
Resolution	1024 x 768				1280 x 1024				1280 x 1024			
Colors	16.2M				16.2M				16.7M			
Luminance	300 cd/m2				350 cd/m2				250 cd/m2			
Contrast Ratio	2000:1				1000:1				1000:1			
View Angle (H/V)	176°/176°				170°/160°				170°/160°			
HIGH BRIGHTNESS (OPTIONAL)												
Resolution	1024 x 768				1280 x 1024				1280 x 1024			
Colors	16.2M				16.7M				16.7M			
Luminance	1000 cd/m2				1000 cd/m2				1000 cd/m2			
Contrast Ratio	2000 : 1				1000 : 1				1000 : 1			
Viewing Angle (H/V)	176°/176°				170°/165°				170°/160°			
I/O PORTS												
VGA	V		V		V		V		V		V	
DVI	V				V				V			
HDMI			V				V				V	
DP			V				V				V	
USB (for touch screen)	V		V		V		V		V		V	
POWER REQUIREMENT												
Power Requirement	DC in 12V (60W)											
TOUCH SCREEN												
Touch Screen	PCT	5W (one touch)	PCT	5W (one touch)	PCT	5W (one touch)	PCT	5W (one touch)	PCT	5W (one touch)	PCT	5W (one touch)
OS SUPPORT												
OS support	Win Pro 10 / Embedded Win 7, 8, 10 / Win 10 IoT											
MECHANICAL & ENVIRONMENTAL												
Operation Temp.	0 ~ 45°C											
Storage Humidity	10 ~ 90%, non-condensing											
Mounting	VESA mount (100X100mm) & Panel mount & Clip mount											
Dimension (WxHxD)	441 x 322 x 71mm				483 x 376 x 71 mm				528 x 414 x 71 mm			
Weight	4.8 kg				6.0 kg				7.2 kg			
OPTIONAL												
P/N: 302A170051	1600 cd/m2 15" LCD panel 1024 x 768											
P/N: 302A170051	1600 cd/m2 17" LCD panel 1280 x 1024											
P/N: 2320000001	Optical Bonding											
P/N: 3080108001	HMDI 2m cable											
P/N: 3080109001	DP 2m cable											
P/N: 239SP17002	10pcs x Clips											
P/N: 3011100020	Waterproof sponge											

ORDERING INFORMATION

STANDARD

TM150PS03	15" display, true flat PCT, 1 x VGA, 1 x DVI, 1 x USB, 1 x 1.8m VGA cable, 1 x 1.8m USB cable, DC in power adapter
TM150PS04	15" display, true flat PCT, 1 x VGA, 1 x DP, 1 x HDMI, 1 x USB, 1 x 1.8m VGA cable, 1 x 1.8m USB cable, DC in power adapter
TM150RS03	15" display, true flat 5W resistive, 1 x VGA, 1 x DVI, 1 x USB, 1 x 1.8m VGA cable, 1 x 1.8m USB cable, DC in power adapter
TM150RS04	15" display, true flat 5W resistive, 1 x VGA, 1 x DP, 1 x HDMI, 1 x USB, 1 x 1.8m VGA cable, 1 x 1.8m USB cable, DC in power adapter
TM170PS03	17" display, true flat PCT, 1 x VGA, 1 x DVI, 1 x USB, 1 x 1.8m VGA cable, 1 x 1.8m USB cable, DC in power adapter
TM170PS04	17" display, true flat PCT, 1 x VGA, 1 x DP, 1 x HDMI, 1 x USB, 1 x 1.8m VGA cable, 1 x 1.8m USB cable, DC in power adapter
TM170RS03	17" display, true flat 5W resistive, 1 x VGA, 1 x DVI, 1 x USB, 1 x 1.8m VGA cable, 1 x 1.8m USB cable, DC in power adapter
TM170RS04	17" display, true flat 5W resistive, 1 x VGA, 1 x DP, 1 x HDMI, 1 x USB, 1 x 1.8m VGA cable, 1 x 1.8m USB cable, DC in power adapter
TM190PS03	19" display, true flat PCT, 1 x VGA, 1 x DVI, 1 x USB, 1 x 1.8m VGA cable, 1 x 1.8m USB cable, DC in power adapter
TM190PS04	19" display, true flat PCT, 1 x VGA, 1 x DP, 1 x HDMI, 1 x USB, 1 x 1.8m VGA cable, 1 x 1.8m USB cable, DC in power adapter
TM190RS03	19" display, true flat 5W resistive, 1 x VGA, 1 x DVI, 1 x USB, 1 x 1.8m VGA cable, 1 x 1.8m USB cable, DC in power adapter
TM190RS04	19" display, true flat 5W resistive, 1 x VGA, 1 x DP, 1 x HDMI, 1 x USB, 1 x 1.8m VGA cable, 1 x 1.8m USB cable, DC in power adapter

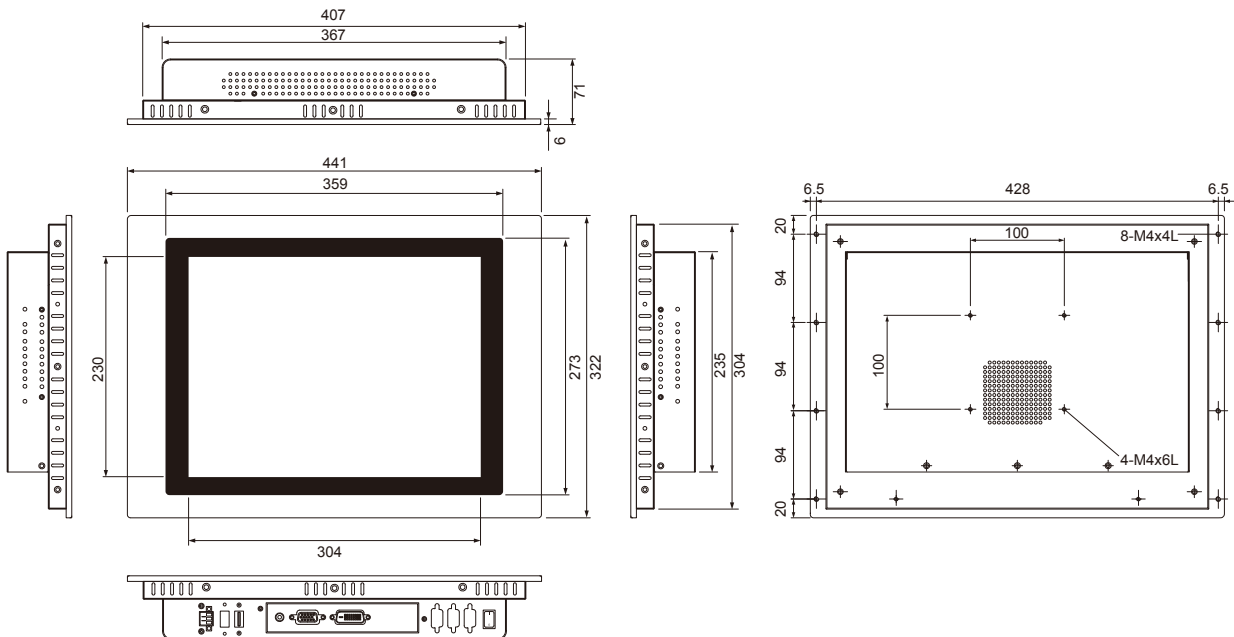
HIGH BRIGHTNESS

TM150PJ03	15" display, true flat PCT, 1 x VGA, 1 x DVI, 1 x USB, 1 x 1.8m VGA cable, 1 x 1.8m USB cable, DC in power adapter, 1000 cd/m2
TM150PJ04	15" display, true flat PCT, 1 x VGA, 1 x DP, 1 x HDMI, 1 x USB, 1 x 1.8m VGA cable, 1 x 1.8m USB cable, DC in power adapter, 1000 cd/m2
TM150RJ03	15" display, true flat 5W resistive, 1 x VGA, 1 x DVI, 1 x USB, 1 x 1.8m VGA cable, 1 x 1.8m USB cable, DC in power adapter, 1000 cd/m2
TM150RJ04	15" display, true flat 5W resistive, 1 x VGA, 1 x DP, 1 x HDMI, 1 x USB, 1 x 1.8m VGA cable, 1 x 1.8m USB cable, DC in power adapter, 1000 cd/m2
TM170PJ03	17" display, true flat PCT, 1 x VGA, 1 x DVI, 1 x USB, 1 x 1.8m VGA cable, 1 x 1.8m USB cable, DC in power adapter, 1000 cd/m2
TM170PJ04	17" display, true flat PCT, 1 x VGA, 1 x DP, 1 x HDMI, 1 x USB, 1 x 1.8m VGA cable, 1 x 1.8m USB cable, DC in power adapter, 1000 cd/m2
TM170RJ03	17" display, true flat 5W resistive, 1 x VGA, 1 x DVI, 1 x USB, 1 x 1.8m VGA cable, 1 x 1.8m USB cable, DC in power adapter, 1000 cd/m2
TM170RJ04	17" display, true flat 5W resistive, 1 x VGA, 1 x DP, 1 x HDMI, 1 x USB, 1 x 1.8m VGA cable, 1 x 1.8m USB cable, DC in power adapter, 1000 cd/m2
TM190PJ03	19" display, true flat PCT, 1 x VGA, 1 x DVI, 1 x USB, 1 x 1.8m VGA cable, 1 x 1.8m USB cable, DC in power adapter, 1000 cd/m2
TM190PJ04	19" display, true flat PCT, 1 x VGA, 1 x DP, 1 x HDMI, 1 x USB, 1 x 1.8m VGA cable, 1 x 1.8m USB cable, DC in power adapter, 1000 cd/m2
TM190RJ03	19" display, true flat 5W resistive, 1 x VGA, 1 x DVI, 1 x USB, 1 x 1.8m VGA cable, 1 x 1.8m USB cable, DC in power adapter, 1000 cd/m2
TM190RJ04	19" display, true flat 5W resistive, 1 x VGA, 1 x DP, 1 x HDMI, 1 x USB, 1 x 1.8m VGA cable, 1 x 1.8m USB cable, DC in power adapter, 1000 cd/m2

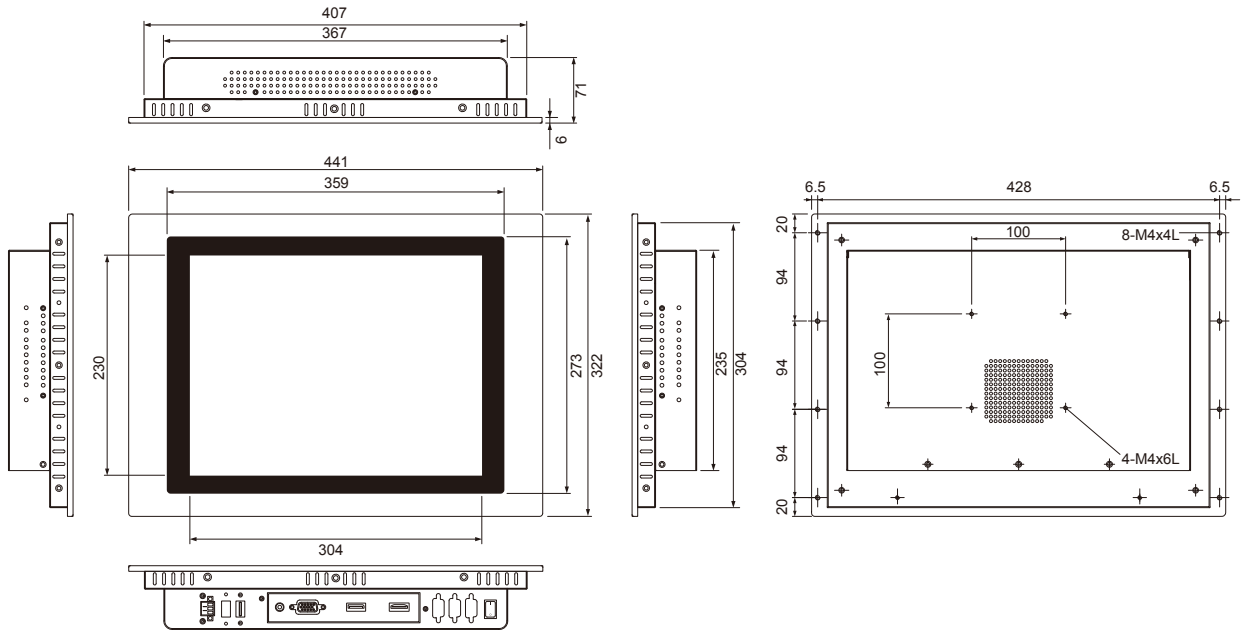
Dimensions

Unit : mm

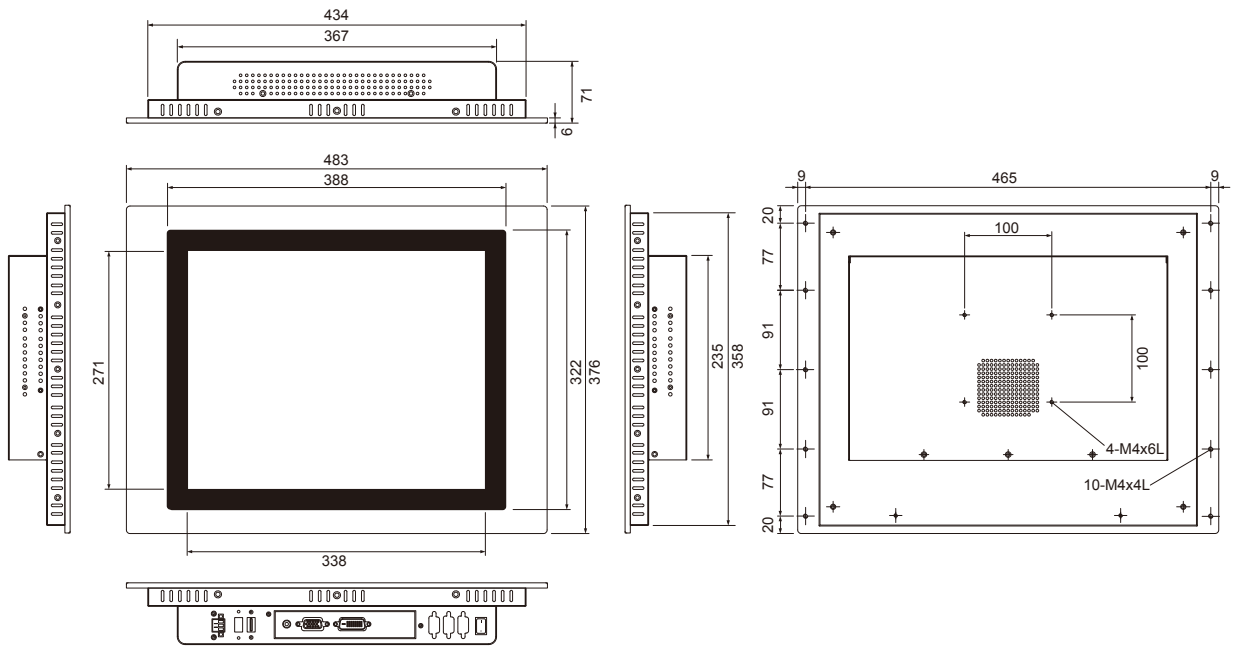
TM150PS03, TM150RS03



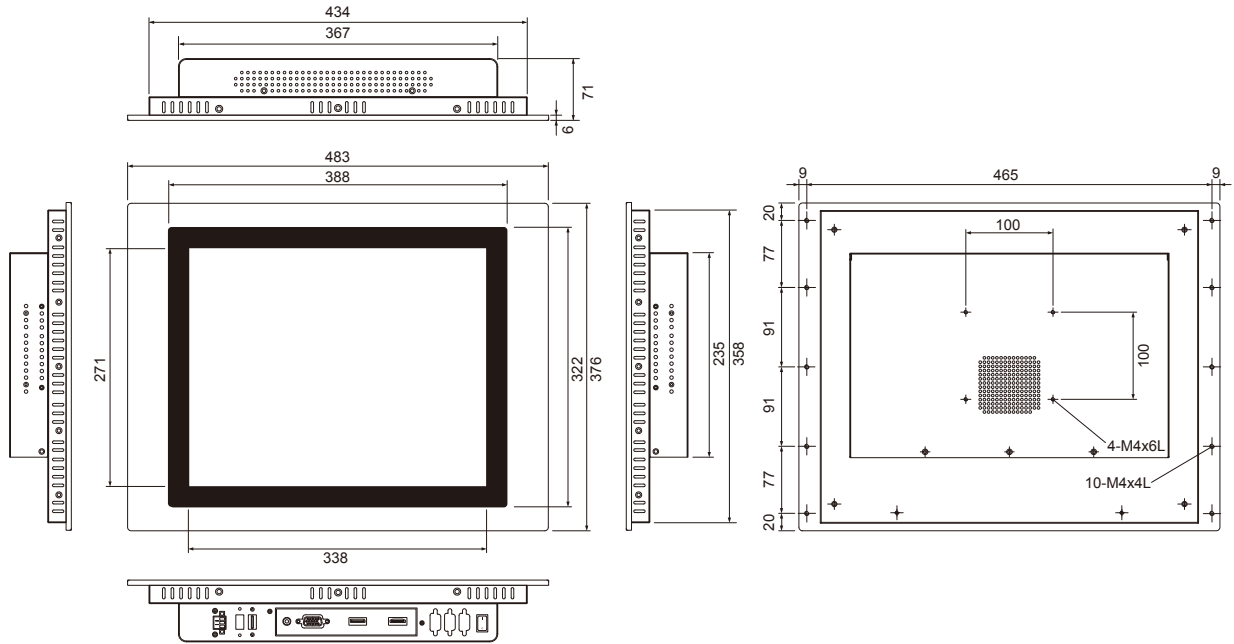
TM150PS04, TM150RS04



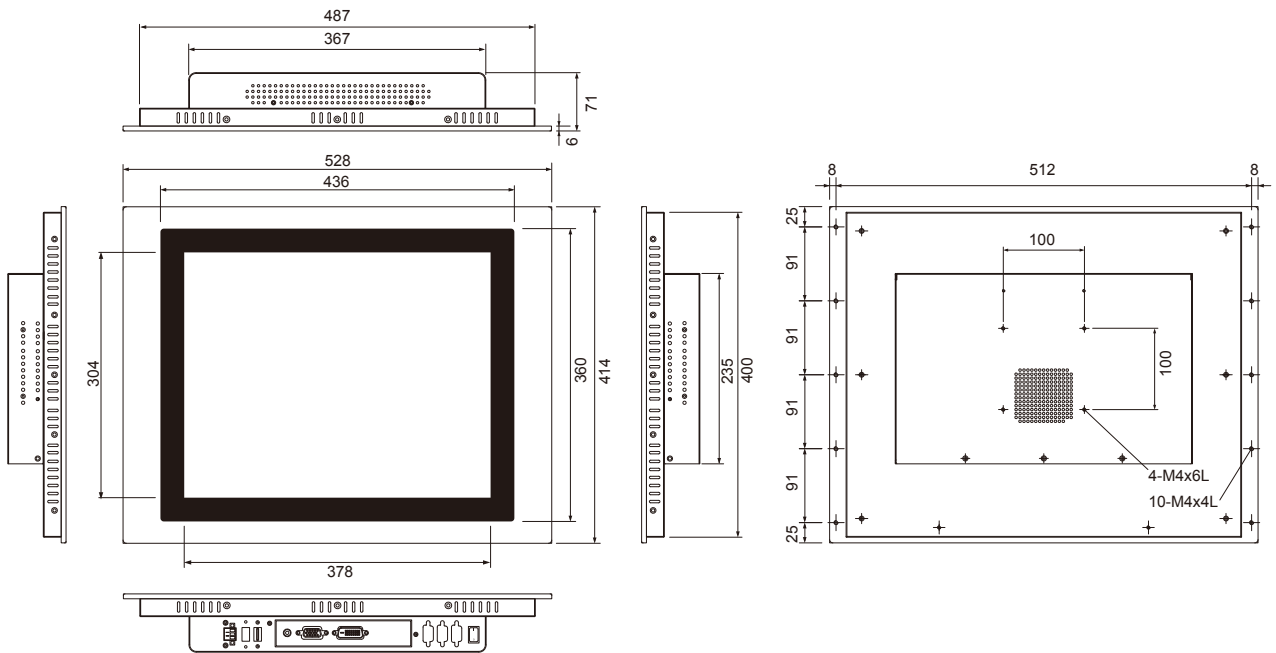
TM170PS03, TM170RS03



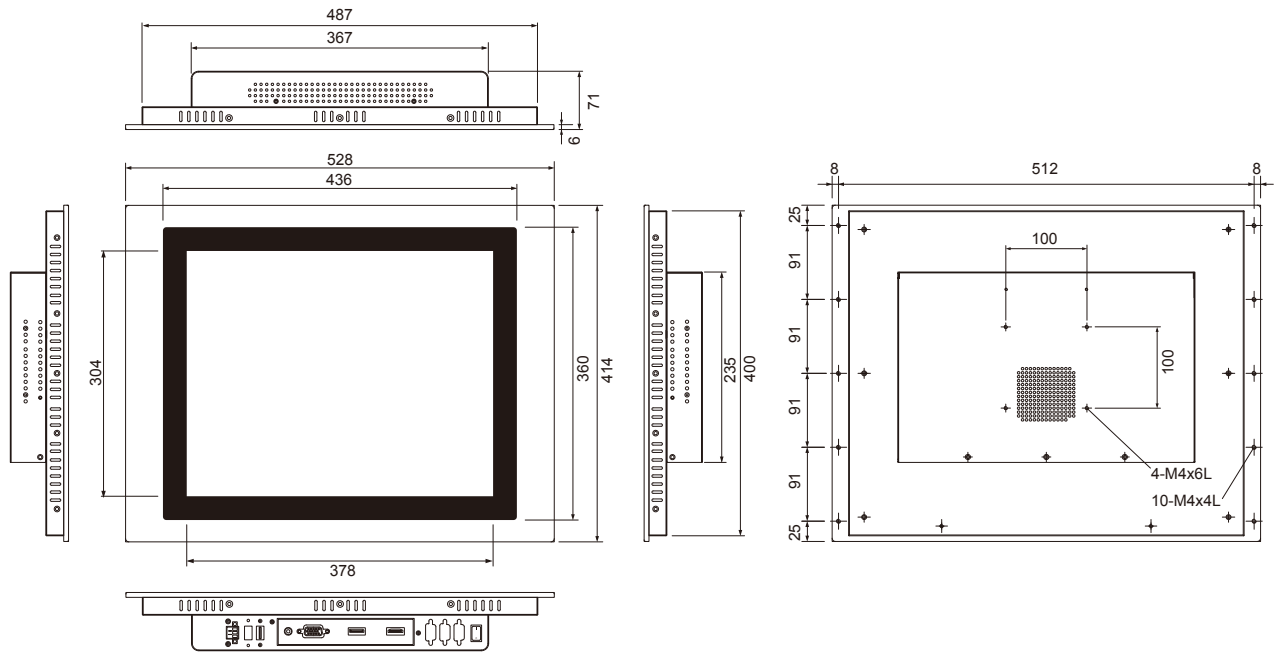
TM170PS04, TM170RS04



TM190PS03, TM190RS03



TM190PS04, TM190RS04



**Specifications are subject to change without notice.*