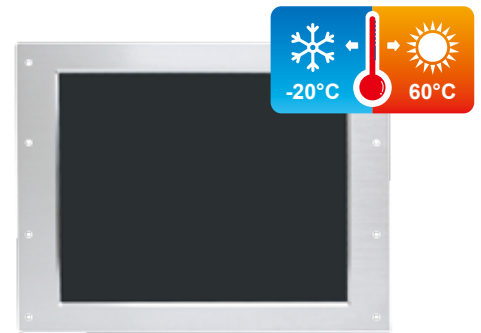


## 15", 17", 19" Front IP65 Silver Aluminum Rack Mount Touch Monitor



### Features

- Fanless and rugged design
- Wide temperature : -20~ 60°C
- 5 Wires Resistive touch solution
- IP65 Silver rack mount aluminum front bezel
- Resolution 1024 x 768 / 1280 x 1024 dpi
- Rack mount & VESA mount



### Specifications

Model No.	SM150RY03	SM150RY04	SM170RY03	SM170RY04	SM190RY03	SM190RY04
<b>DISPLAY</b>						
Size	15" TFT (4:3)		17" TFT (4:3)		19" TFT (4:3)	
Resolution	1024 x 768		1280 x 1024		1280 x 1024	
Colors	16.2M		16.2M		16.7M	
Luminance	300 cd/m2		350 cd/m2		250 cd/m2	
Contrast Ratio	2000:1		1000:1		1000:1	
View Angle (H/V)	176°/176°		170°/160°		170°/160°	
<b>HIGH BRIGHTNESS (OPTIONAL)</b>						
Resolution	1024 x 768		1280 x 1024		1280 x 1024	
Colors	16.2M		16.7M		16.7M	
Luminance	1000 cd/m2		1000 cd/m2		1000 cd/m2	
Contrast Ratio	2000 : 1		1000 : 1		1000 : 1	
Viewing Angle (H/V)	176°/176°		170°/165°		170°/160°	
<b>I/O PORTS</b>						
VGA	V	V	V	V	V	V
DVI	V		V		V	
HDMI		V		V		V
DP		V		V		V
USB (for touch screen)	V	V	V	V	V	V
<b>POWER REQUIREMENT</b>						
Power Requirement	DC in 12V ( 60W )					
<b>TOUCH SCREEN</b>						
Touch Screen	5 Wires Resistive (one touch)					
<b>OS SUPPORT</b>						
OS support	Win Pro 10 / Embedded Win 7, 8, 10					
<b>MECHANICAL &amp; ENVIRONMENTAL</b>						
Operation Temp.	-20~60°C					
Storage Humidity	10 ~ 90%, non-condensing					
Mounting	VESA mount (100X100mm) & Rack mount					
Dimension (WxHxD)	487 x 311 x 70 mm		485 x 352 x 72 mm		486 x 377 x 75 mm	
Weight	4.9 kg		5.9 kg		7.9 kg	
<b>OPTIONAL</b>						
P/N: 302A17005A	1600 cd/m2 15" LCD panel 1024 x 768					
P/N: 302A170051	1600 cd/m2 17" LCD panel 1280 x 1024					
P/N: 302A190091	1600 cd/m2 19" LCD panel 1280 x 1024					
P/N: 2320000001	Optical Bonding					
P/N: 3080108001	HDMI 2m cable					
P/N: 3080109001	DP 2m cable					
P/N: 239SP17002	10pcs x Clips					
P/N: 3120600002	RS232 touch screen					
P/N: 3011100020	Waterproof sponge					
P/N: 309M106004	DC in 9V ~ 36V for 17" and 19" monitor					

## ORDERING INFORMATION

### STANDARD

<b>SM150RY03</b>	15" wide temperature rack mount display, 5W resistive, 1 x VGA , 1 x DVI, 1 x USB, 1 x 1.8m VGA cable, 1 x 1.8m USB cable, DC in power adapter
<b>SM150RY04</b>	15" wide temperature rack mount display, 5W resistive, 1 x VGA , 1 x DP, 1 x HDMI, 1 x USB, 1 x 1.8m VGA cable, 1 x 1.8m USB cable, DC in power adapter
<b>SM170RY03</b>	17" wide temperature rack mount display, 5W resistive, 1 x VGA , 1 x DVI, 1 x USB, 1 x 1.8m VGA cable, 1 x 1.8m USB cable, DC in power adapter
<b>SM170RY04</b>	17" wide temperature rack mount display, 5W resistive, 1 x VGA , 1 x DP, 1 x HDMI, 1 x USB, 1 x 1.8m VGA cable, 1 x 1.8m USB cable, DC in power adapter
<b>SM190RY03</b>	19" wide temperature rack mount display, 5W resistive, 1 x VGA , 1 x DVI, 1 x USB, 1 x 1.8m VGA cable, 1 x 1.8m USB cable, DC in power adapter
<b>SM190RY04</b>	19" wide temperature rack mount display, 5W resistive, 1 x VGA , 1 x DP, 1 x HDMI, 1 x USB, 1 x 1.8m VGA cable, 1 x 1.8m USB cable, DC in power adapter

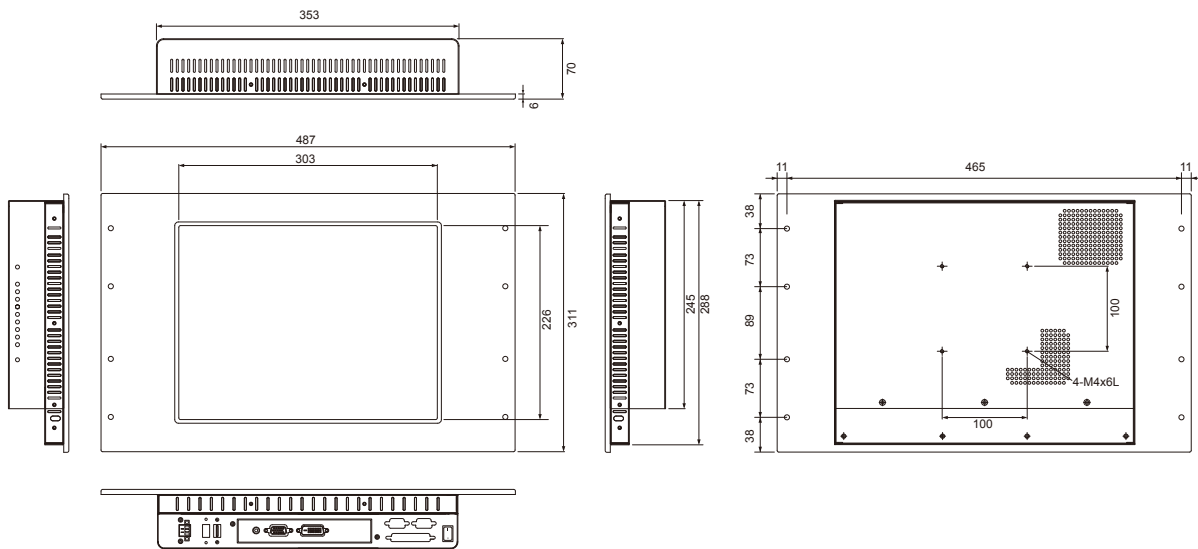
### HIGH BRIGHTNESS

<b>SM150RZ03</b>	15" wide temperature rack mount display, 5W resistive, 1 x VGA , 1 x DVI, 1 x USB, 1 x 1.8m VGA cable, 1 x 1.8m USB cable, DC in power adapter, 1000 cd/m2
<b>SM150RZ04</b>	15" wide temperature rack mount display, 5W resistive, 1 x VGA , 1 x DP, 1 x HDMI, 1 x USB, 1 x 1.8m VGA cable, 1 x 1.8m USB cable, DC in power adapter, 1000 cd/m2
<b>SM170RZ03</b>	17" wide temperature rack mount display, 1 x VGA , 1 x DVI, 1 x USB, 1 x 1.8m VGA cable, 1 x 1.8m USB cable, DC in power adapter, 1000 cd/m2
<b>SM170RZ04</b>	17" wide temperature rack mount display, 1 x VGA , 1 x DP, 1 x HDMI, 1 x USB, 1 x 1.8m VGA cable, 1 x 1.8m USB cable, DC in power adapter, 1000 cd/m2
<b>SM190RZ03</b>	19" wide temperature rack mount display, 1 x VGA , 1 x DVI, 1 x USB, 1 x 1.8m VGA cable, 1 x 1.8m USB cable, DC in power adapter, 1000 cd/m2
<b>SM190RZ04</b>	19" wide temperature rack mount display, 1 x VGA , 1 x DP, 1 x HDMI, 1 x USB, 1 x 1.8m VGA cable, 1 x 1.8m USB cable, DC in power adapter, 1000 cd/m2

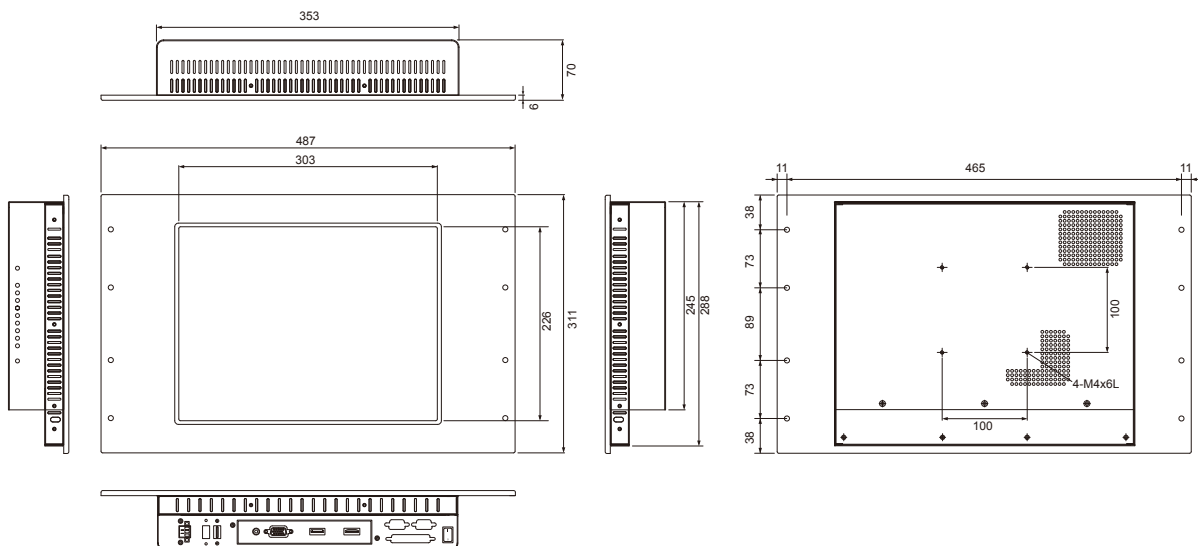
## Dimensions

Unit : mm

### SM150RY03

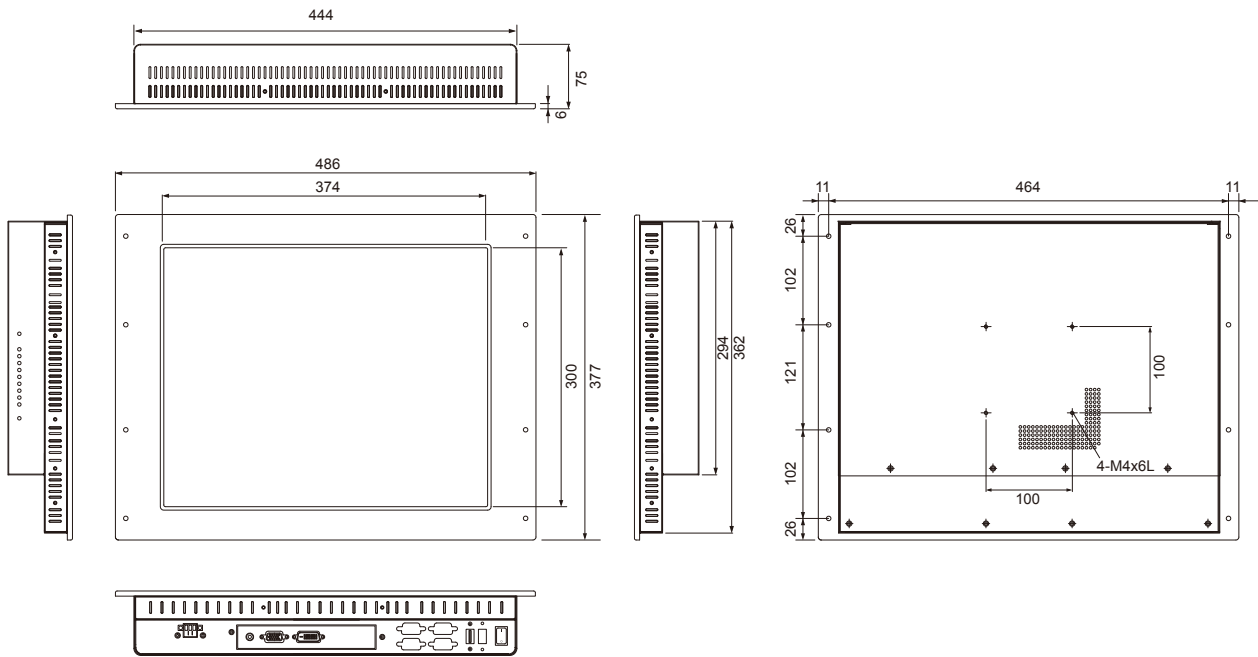


### SM150RY04

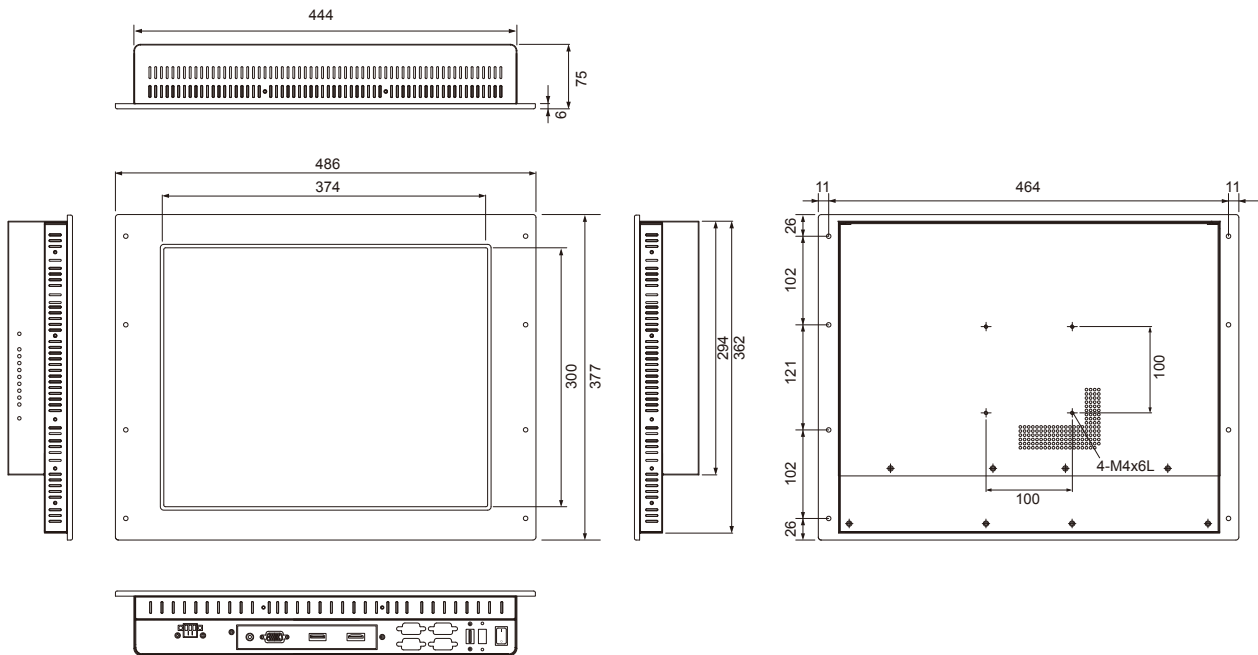




### SM190RY03



### SM190RY04



\*Specifications are subject to change without notice.